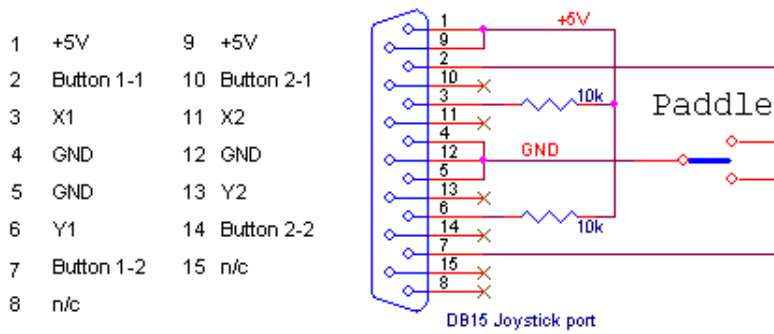
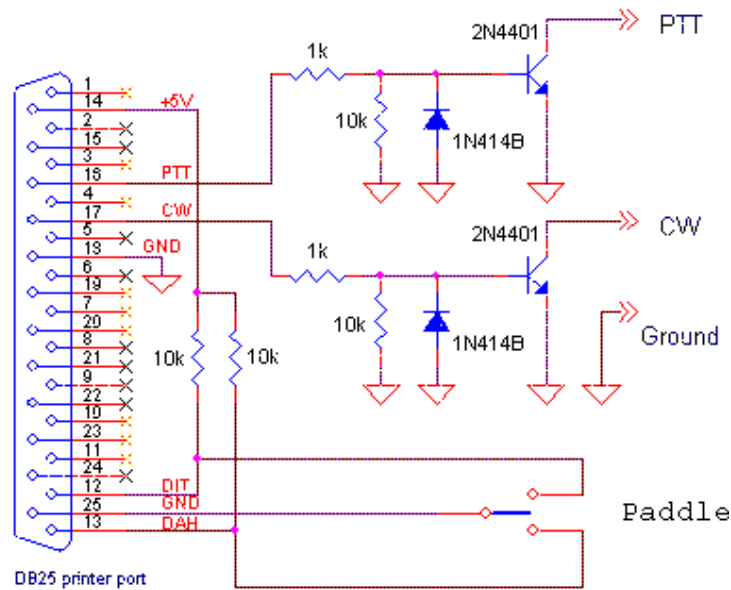


MixW via Joy Stick or Parallel port for CW or key paddle



* Resistors (1..10k) are only needed to let Windows detect the "CW joystick"

(Note: the pins of this male DB15 & DB25 are how we see from front)



We must energize the driver "Mixportdriver.sys" for this open the folder of MixW



(C:\Program Files\MixW) and find the file **Mixportdriver.sys** (this is like [MixPortDriver...], right click on it and then select <Copy>. Open the folder C:\WINDOWS\system32\drivers, and in an empty place of the open file <drivers> right click and select <Paste>.

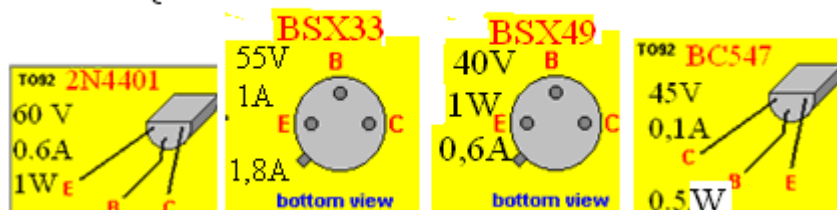
Opening again the folder of MixW and find the file:



MixPortDriver.reg [MixPortDriver...], Open it and then click <Yes> and <OK> on all opening panes. Reboot the PC.

We open MixW program and set mode **CW**, then go **Configure > LPT port setting >** and select <Use this port> click OK.

all Qs are NPN for the new TRX we can use BC547



1N414 there is not exist maybe it is wrong, we can use 1N4148